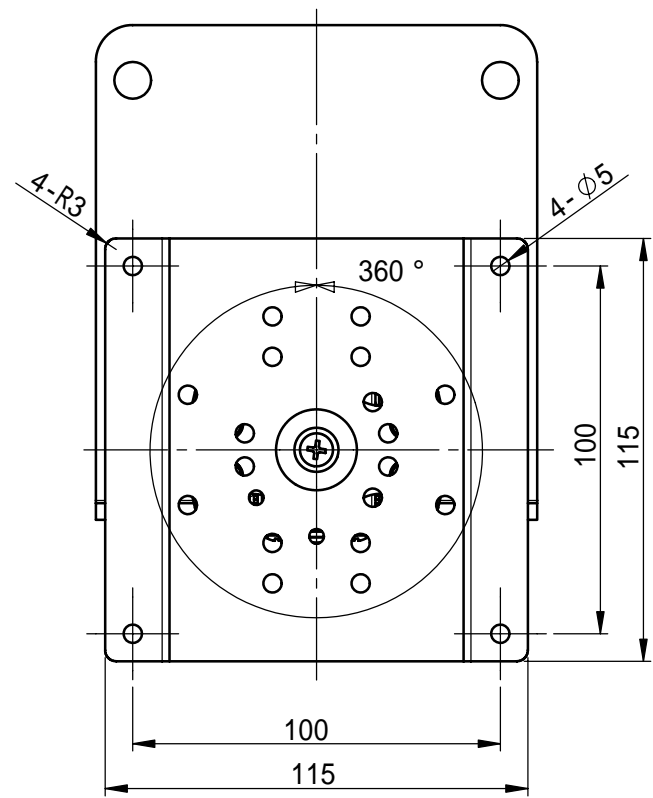
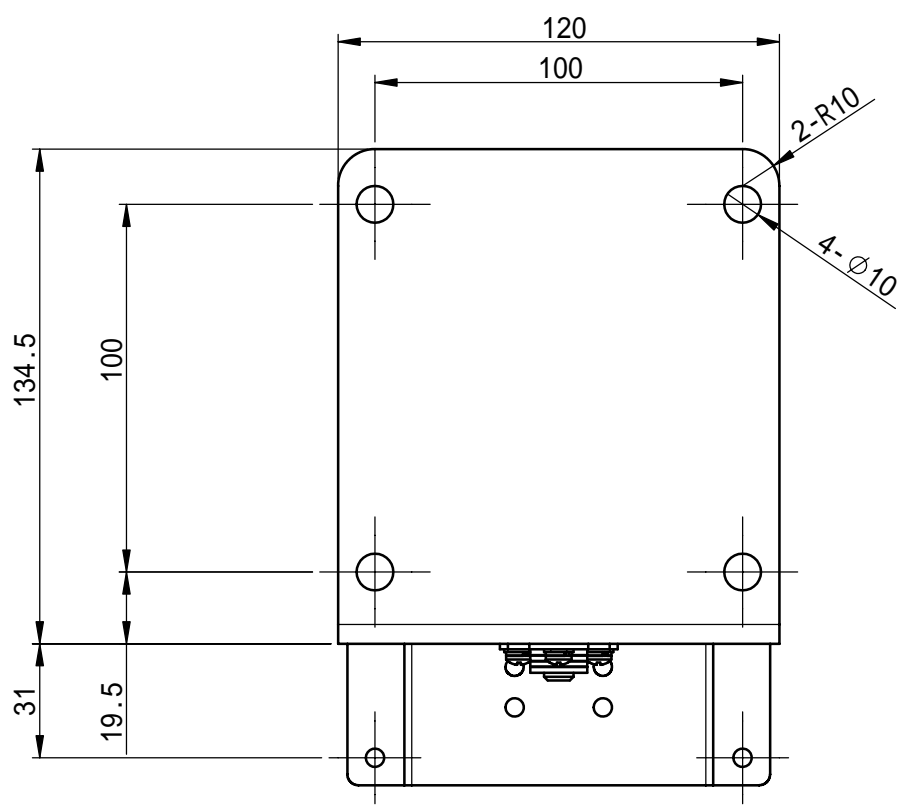
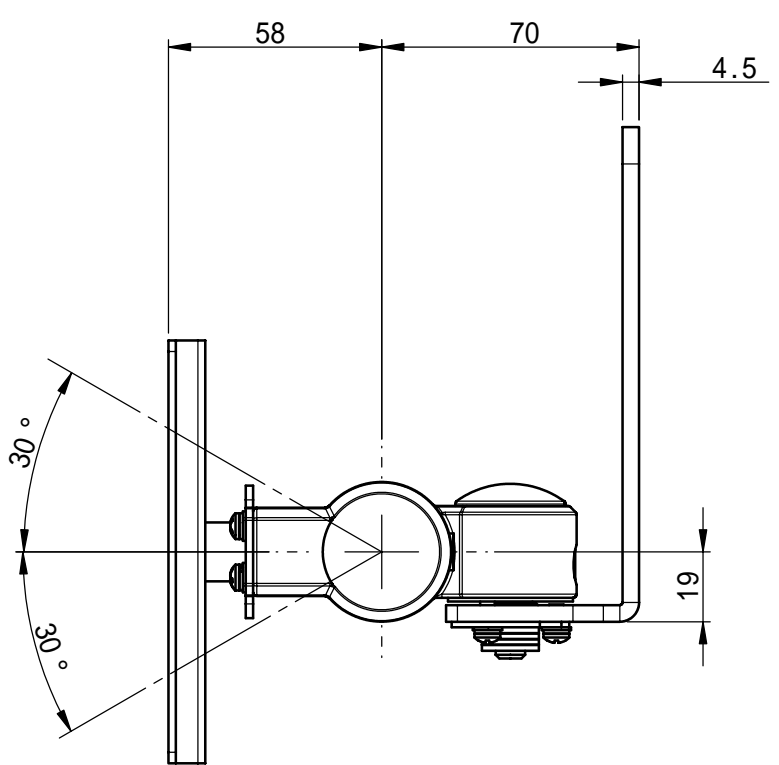
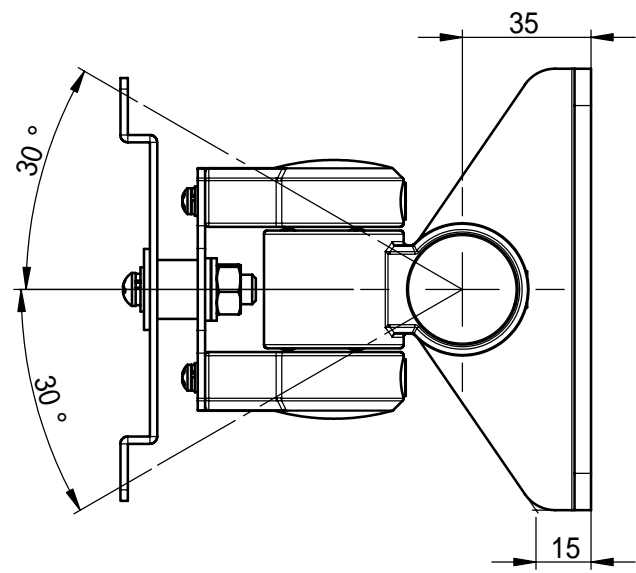
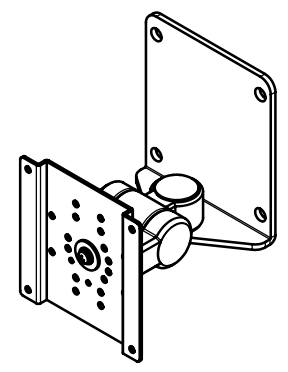


REVISIONS				
ZONE	REV.	DESCRIPTION	DATE	APPROVED
	0			



THIRD ANGLE PROJECTION

MATERIAL

FINISH

DO NOT SCALE DRAWING

	NAME	DATE	ALPHATEC	
DRAWN			TITLE:	
CHECKED			PS-9F 外形図	
ENG APPR.			SIZE	DWG. NO.
MFG APPR.			A3	
Q.A.			SCALE: 1:2	REV
COMMENTS:			SHEET 1 OF 1	

